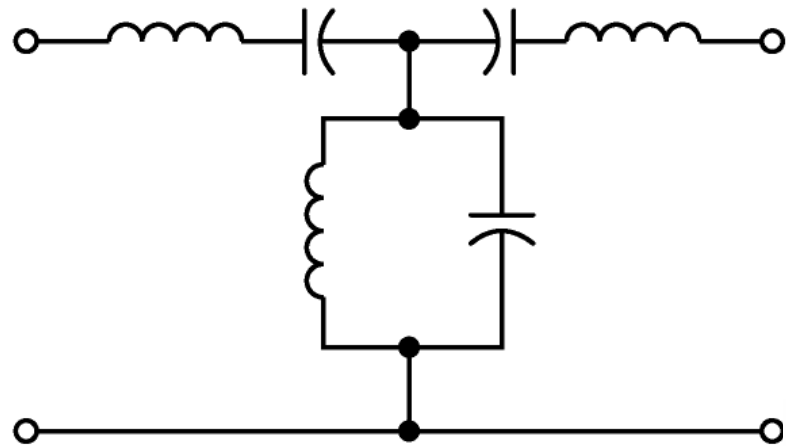
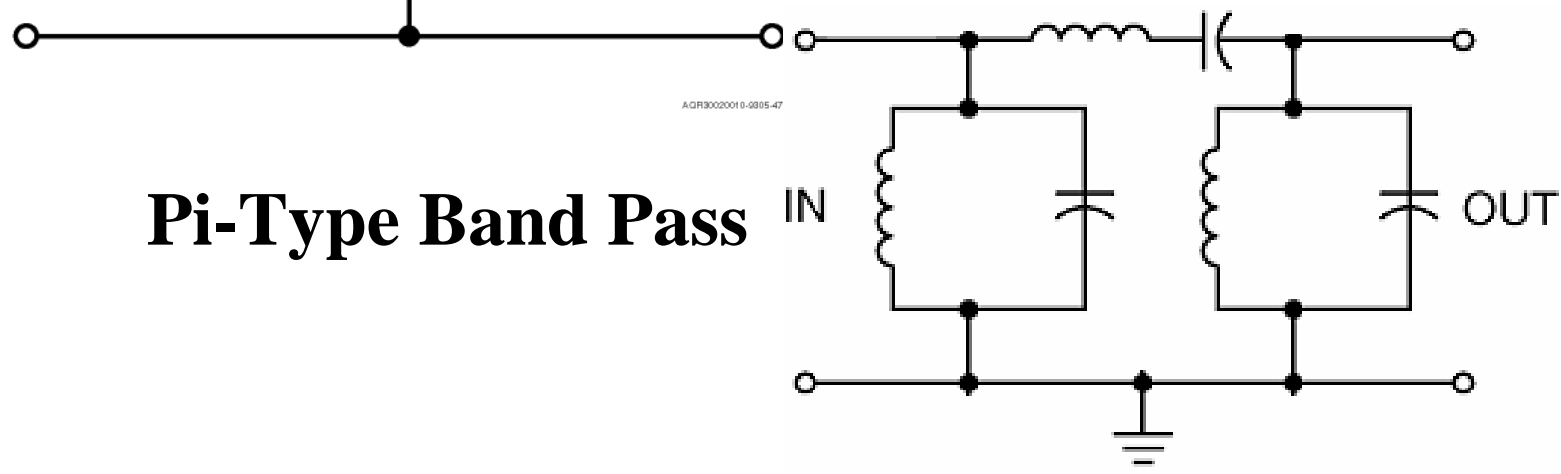


**L-Type Band Pass**



**T-Type Band Pass**



**Pi-Type Band Pass**

AQR30020010-0805-47