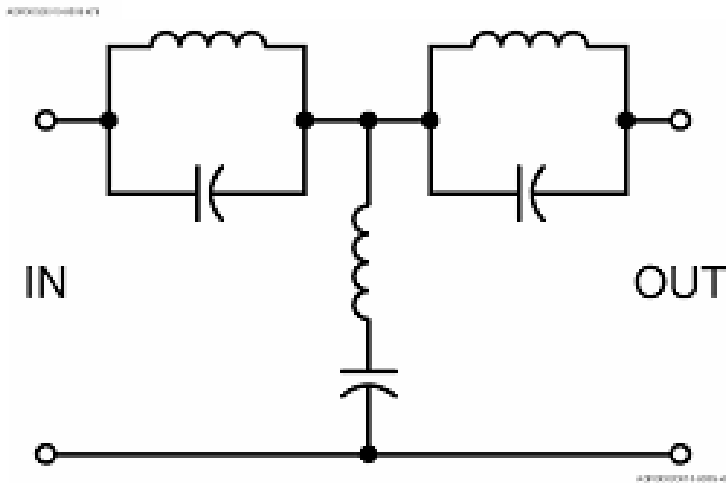


**L-Type Band Reject**



**T-Type Band Reject**

**Pi-Type Band Reject**

